

Packs in milliseconds.
SVE 2510: High-Speed packaging machine.



BOSCH
Invented for life



High-performance class for everybody



High-speed packaging like never before

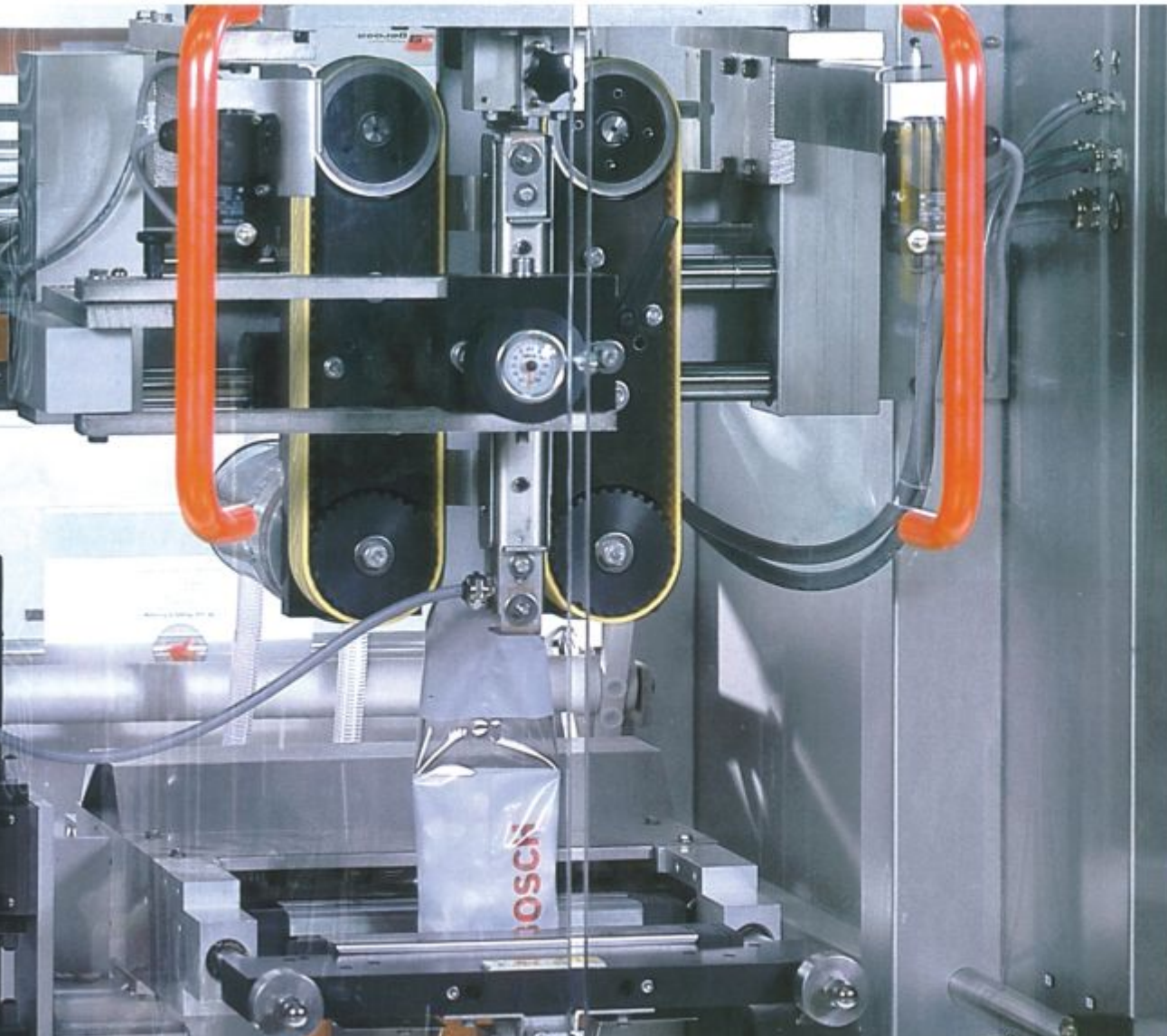
Bosch presents SVE 2510, the continuous bag form, fill and seal machine, which packs up to 180 bags/min. This means, it achieves an output of 3 bags per second, thus making it the fastest packaging machine in India. With high-speed, high-performance and trademark Bosch quality, the machine gives maximum benefits for your business.

Continuous motion technique:

30-50% higher performance than with the intermittent motion technique. With this continuously operating bag form, fill and seal machine Bosch has opened up for a multitude of users low-cost entry into high-performance packaging. The utilization of most modern techniques and innovative design achievements point far into the future.

Servo-technology throughout:

The entire drive is effected via servo-motors, which are microprocessor controlled. The packaging material is drawn-off continuously and precisely by the vacuum-supported belt indexing system, without any friction between belts and forming tube. Due to this frictionless transport all packaging materials for the manufacturing of bags can be reliably processed, regardless of whether they are thin, stretchable or even rough. The SVE 2510 processes heat sealable and weldable packaging materials (PE).



Innovations for the maximum benefit of the customer



Flexible:

- Servo-technology throughout for all functions, program selection at the press of a button
- Memory for 96 programs

Operator-friendly:

- Tidy, easily accessible interior
- Low overall height
- Fast, easy size change (one part)

Secure, reliable seams:

- Application-related sealing time optimization
- Constant high sealing force (up to 8000 N) during the entire cross seam sealing process
- Consistent quality of the longitudinal seam

Sanitary design:

- Easy to clean
- Encased hollow spaces

Fast packaging material change (standard):

- Packaging material reel spindle with pneumatically actuated tensioning segments
- Prewarning for end of packaging material reel
- Web clamping system for end of web
- Packaging material splicing and cutting aid

Options:

- Reel support for 2 packaging material reels
- Print registration control
- Automatic web tracking control
- Block bottom device
- Heat sealing and PE welding systems
- Anti-static devices
- Monitoring of "product in cross seam"
- Chain packages
- Bag perforating device
- Hole punch device for top bag seam
- Machine constructed of corrosion-proof materials
- Product-protective gasflushing

Pillow bag



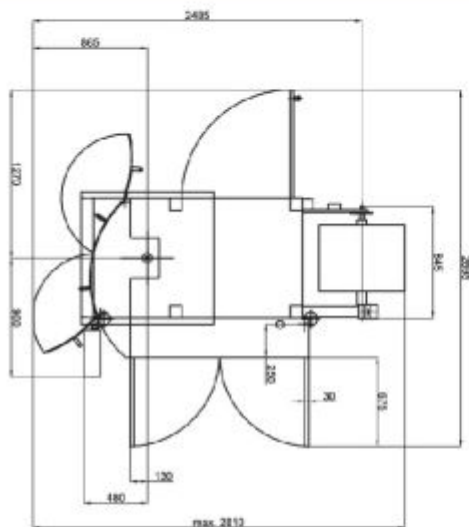
Gusseted bag



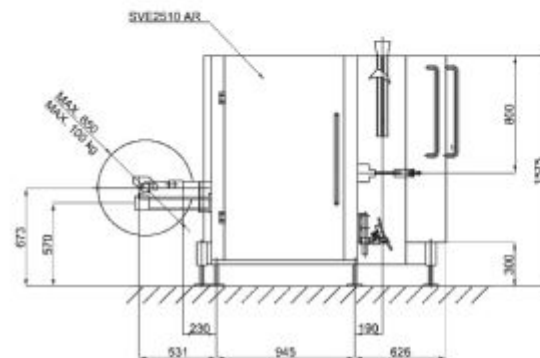
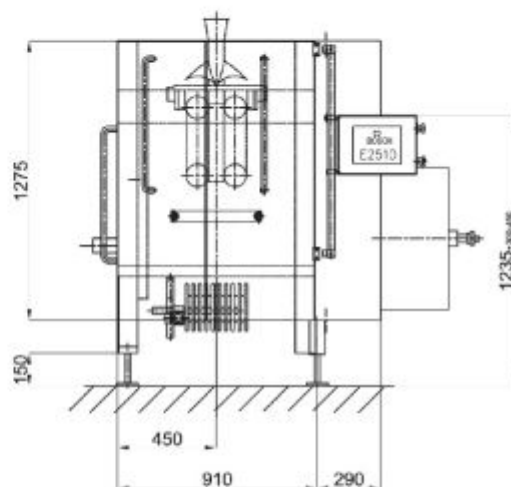
Stand-up bag



TECHNICAL SPECIFICATIONS



All dimensions in millimeters



Output:	15 - 180 bags/min	
Bag sizes:	60 - 500 mm	
Bag length:	65 - 250 mm	
Bag width:	Min. W 40 mm	max. W 220 mm
Stand-up bags:	Min. D 25 mm	max. D 105 mm
	Total W+D = max. 250 mm	
Connected electrical load:	10 KVA, 230/400 V, 3-phase + N, 50/60 Hz	
Compressed air requirement:	0.2 l/cycle at minimum pressure of 5 bar 1.3 l/cycle for PE welding	
Weight:	approx. 920 kg	
Machine dimensions:	1200 x 2435 x 1575 mm (W x D x H)	
Machine colour:	Metallic silver, smooth satin finish	
Surface coating:	Two-component polyurethane	
Packaging materials:	Imprinted or non-imprinted off the reel, heat sealable packaging materials and weldable mono films	
Core inner dia.:	70 - 77 mm	
Reel outer dia.:	max. 650 mm	
Protection class:	IP 54	

Subject to technical modifications.

The illustrations and drawing contained in this leaflet are intended for general information only. For definite specifications and data please ask for our quotation.

Head Office:

Bosch Limited, Packaging Technology Division,
N4, Phase IV, Verna Industrial Estate,
Verna, Salcete, Goa - 403722.
Tel: +91-832-6692002/ 03, +91-9766349918.
Fax: +91-832-6692028.
www.boschindia.com
E-mail: boschpackaging@in.bosch.com

Service Help Desk: +91-9766582000 / +91-832-6692000

Sales Offices:

New Delhi:

Rishyamook 85/A, Panchkuin Road, New Delhi - 110001.
Tel: +91-11-23340865.
Fax: +91-11-23348264.
Mobile: 9818648214.

Kolkata:

91-A, Park Street, Kolkata - 700016.
Tel: +91-33-22497471.
Fax: +91-33-22497482.
Mobile: 9831017871.

Mumbai:

79, Dr. Annie Beasant Road, Worli, Mumbai - 400018.
Tel: +91-22-24914644.
Fax: +91-22-24973924.
Mobile: 9820366608.

Chennai:

30, Blossom Center, North Boag Road,
Off Raman Street, T. Nagar, Chennai - 600017.
Tel: +91-44-28153916 / 3917.
Fax: +91-44-28279355.
Mobile: 9840150628.

Bangalore:

RMB Complex, Hosur Road, Adugodi, Bangalore - 560030.
Mobile: 9880596101.



BOSCH
Invented for life